

TELSMITH

an Astec company



TELSMITH 5060 & 4448 IRON GIANT™ SERIES JAW CRUSHERS

Designed for optimal crushing performance in the toughest crushing environments, Telsmith's Iron Giant™ Series jaw crushers provide superior value in all operating conditions.

To optimize performance, the Iron Giant™ jaws are designed with a long crushing chamber and shallow nip angles. These longer chambers provide both high volume crushing and aggressive crushing action to deliver reliable performance even in the hardest materials.

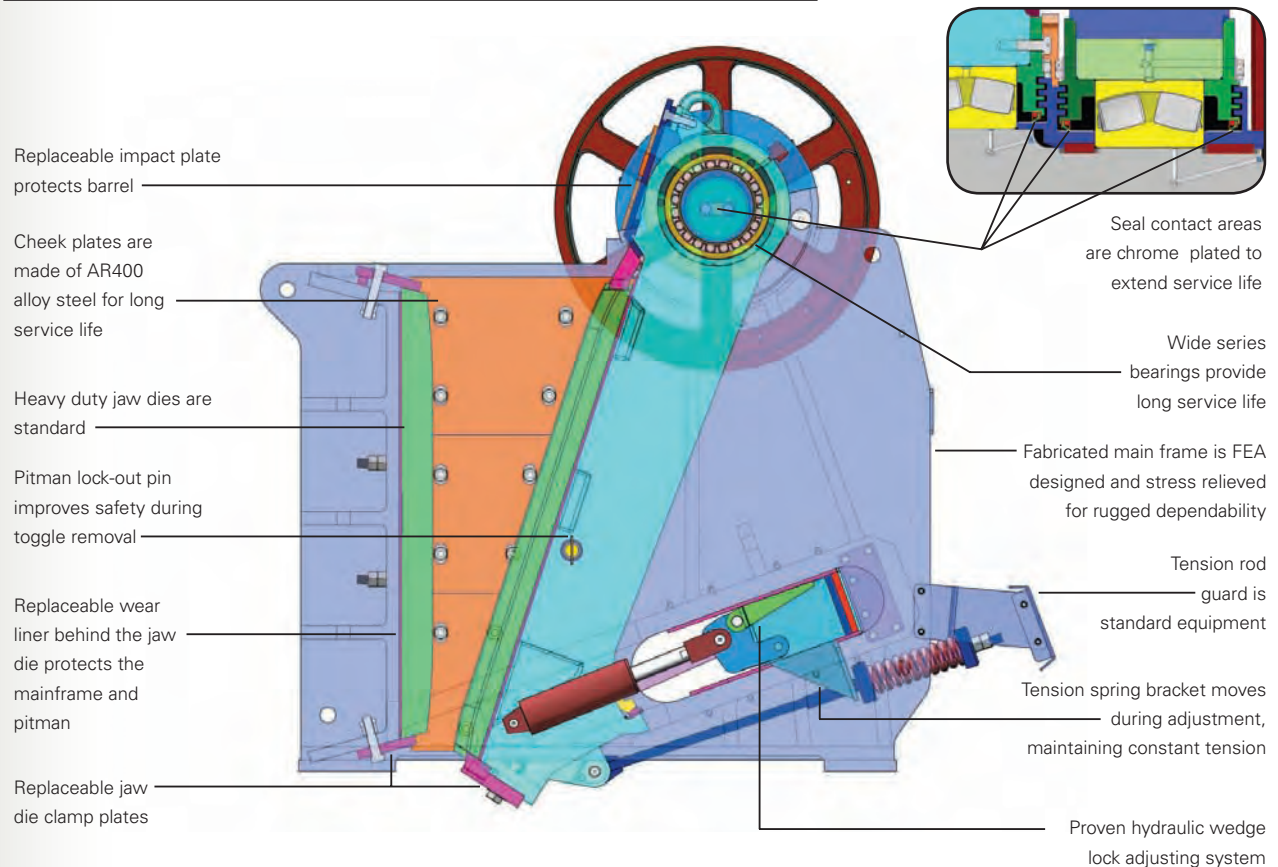
To maximize uptime availability and simplify field repairs, the Iron Giant™ jaws incorporate maintenance features not normally found in jaw crushers. Replaceable liners are built into several areas to protect major components from wear and significantly speed repairs. Telsmith

even chrome plates the seal components for extended service life. It all adds up to lower maintenance and greater plant availability.

Easy to operate, the Hydraulic Wedge Lock Adjustment system has proven over years of service to be safe, fast and reliable even in difficult climates. Hydraulic controls are simple to operate and no special tools are needed, crusher adjustment is completed in minutes.

Superior productivity, durability and serviceability combined with Telsmith's complete product support make the Iron Giant™ jaw crushers the best choice for consistent performance and low cost crushing.

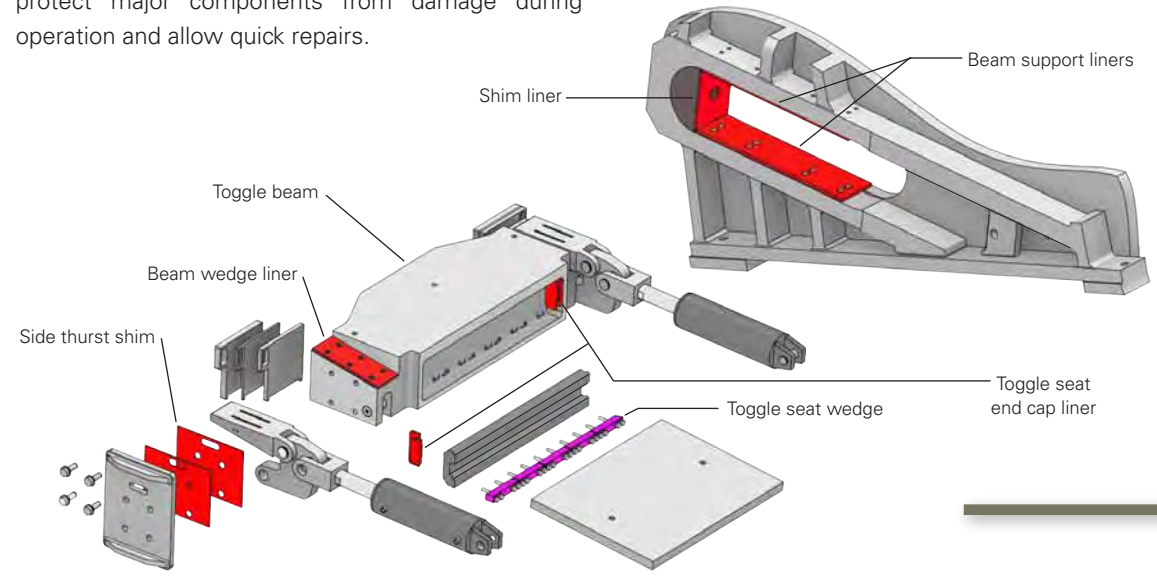
IRON GIANT™ SECTION VIEW:



LOW COST MAINTENANCE:

Critical wear areas throughout the wedge lock adjustment group are protected with replaceable abrasion resistant steel liners. These bolt-in liners protect major components from damage during operation and allow quick repairs.

This unique feature allows the Iron Giant™ jaw crusher to be maintained in "like new" condition even after decades of service.



WEDGE LOCK ADJUSTMENT SYSTEM:

The wedge lock adjustment system is trouble free, fast and safe even after years of service in the toughest operating conditions.

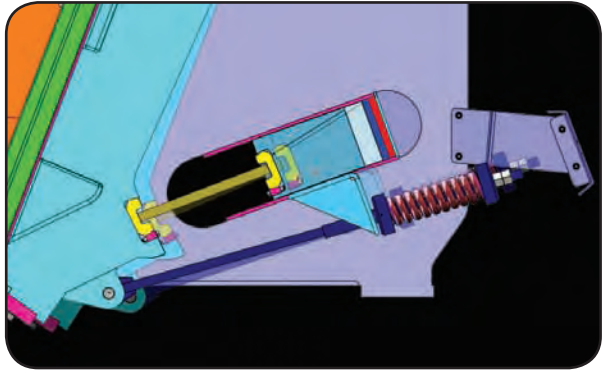
To begin adjustment, hydraulic cylinders do the heavy work of unlocking the wedge and moving the beam forward. Easy to handle lightweight shims are used to fix the setting. Hydraulics then drive the wedge in

place, firmly locking the beam into position. No special tools are needed to carry out the adjustment.

The wedge lock system also incorporates a unique tension spring bracket that moves with the beam during adjustment. This saves time by eliminating the need to reset the spring each time the crusher setting is changed.



Hydraulic cylinders do the heavy work. Lightweight shims are inserted from the side where access is best.

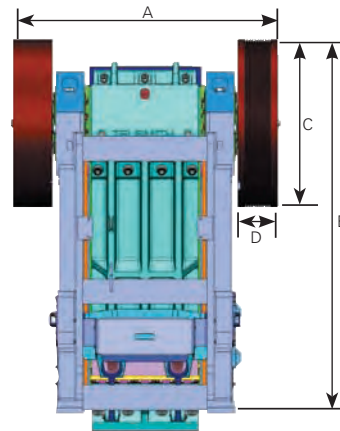
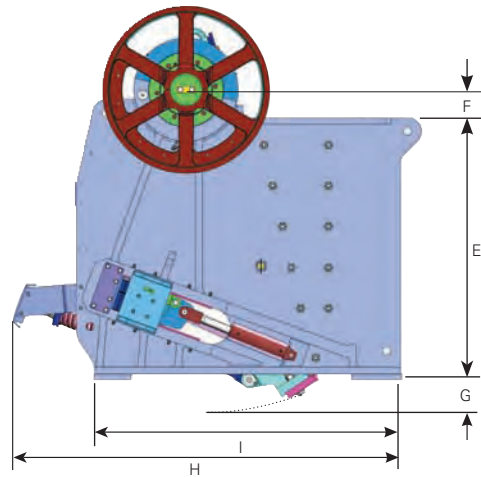
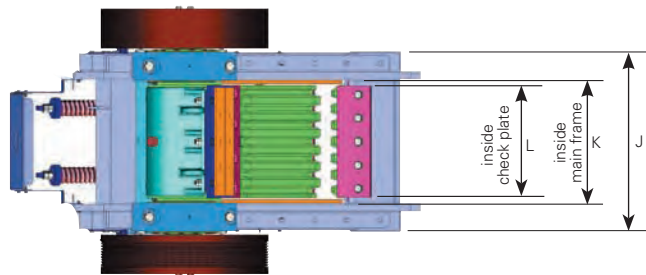


The tension spring moves with the beam when adjusting the crusher CSS, eliminating routine spring adjustment.

Jaw Crusher Capacity - Iron Giant™									
Crusher Settings									
Model	CSS	5" (125 mm)	6" (150 mm)	7" (175 mm)	8" (200 mm)	9" (229 mm)	10" (254 mm)	12" (305 mm)	14" (356 mm)
4448	stph	384-580	443-655	500-750	540-810	580-870	620-930	700-1030	
	mtph	349-527	403-595	455-682	491-736	527-791	564-845	636-936	
5060	stph		548-785	570-850	625-940	680-1015	745-1120	925-1260	1065-1400
	mtph		498-714	518-773	568-855	618-923	677-1018	841-1145	968-1273

Typical Jaw Crusher Product Gradations									
% Passing Sieve Size									
Sieve Size	CSS	5" (125 mm)	6" (150 mm)	7" (175 mm)	8" (200 mm)	9" (229 mm)	10" (254 mm)	12" (305 mm)	14" (356 mm)
16"	406 mm					100	100	92	84
13"	330 mm				100	95	89	79	69
11"	279 mm			100	90	85	78	66	57
10"	254 mm		100	97	85	78	70	60	51
9"	229 mm	100	98	91	78	70	63	53	44
8"	203 mm	98	91	85	70	63	56	46	39
7"	178 mm	91	81	76	60	55	49	40	32
6"	152 mm	81	71	65	50	45	40	33	27
5"	125 mm	69	60	51	40	36	31	26	21
4"	102 mm	55	46	39	30	25	22	19	16
3"	76 mm	39	32	27	20	19	17	15	12
2"	51 mm	23	20	17	14	13	11	10	8
1"	25 mm	11	10	7	7	6	6	5	4

Notes: Capacities are approximate total throughput based on an average material having a bulk density of 100 lbs/ft³. Throughput capacity will vary depending on the type of material, feed gradation, moisture content, feed method and other site specific operating conditions. Output gradations are approximate and will vary depending on the type of material, moisture content, feed gradation, feed rate and other site specific operating conditions. Settings listed are for jaws in closed position and measured peak to peak.



TELSMITH

an Astec company

P.O. Box 539
Mequon, WI 53092-0539

Phone: 800-765-6601
262-242-6600
Fax: 262-242-5812

www.telsmith.com
sales@telsmith.com

General Dimensions

Model		A	B	C	D	E	F	G	H	I	J	K	L
4448	US	114"	160 3/4"	72"	17"	112 1/2"	12"	15"	167 1/2"	132"	77"	53 1/2"	49 1/2"
	mm	2896	4083	1829	432	2858	305	381	4255	3353	1956	1359	1257
5060	US	144"	170 1/4"	78"	23"	117"	14 1/4"	16 1/2"	177"	149"	91"	66"	62"
	mm	3658	4324	1981	584	2972	362	419	4496	3785	2311	1676	1575

Note: Dimensions are approximate, rounded to the nearest 1/4"

General Specifications - Iron Giant™

		US	Metric	US	Metric
Model		4448		5060	
Weight		126,000 lbs	57,154 kg	191,000 lbs	86,638 kg
Export Packed		127,500 lbs	57,834 kg	192,500 lbs	87,318 kg
Recommended motor		250 hp	186 kw	300 hp	234 kw
Recommended crusher RPM		225 RPM			
Lubrication	Standard	Grease			
	Optional	Auto Grease or Recirculating Oil			
Adjustment		Power hydraulic with shims			
Cheek Plate Material		AR400			
Jaw Die Material		Hadfields Manganese			
Jaw Die Clamp (upper)	Static	Clamp Plate			
	Moving	Wedge			
Jaw Die Clamp (lower)		Bolt-in Replaceable Toe			
Hydraulic System	Tank Capacity	20 gallons	76 liters	20 gallons	76 liters
	Motor	7.5 hp	5.6 kw	7.5 hp	5.6 kw

©2006 Telsmith, Inc.
Iron Giant™ 12/06

TELSMITH an Astec Industries Company

10910 N. INDUSTRIAL DR • MEQUON, WI 53092 USA • 262.242.6600 FAX 262.242.5812 • telsmith.com

