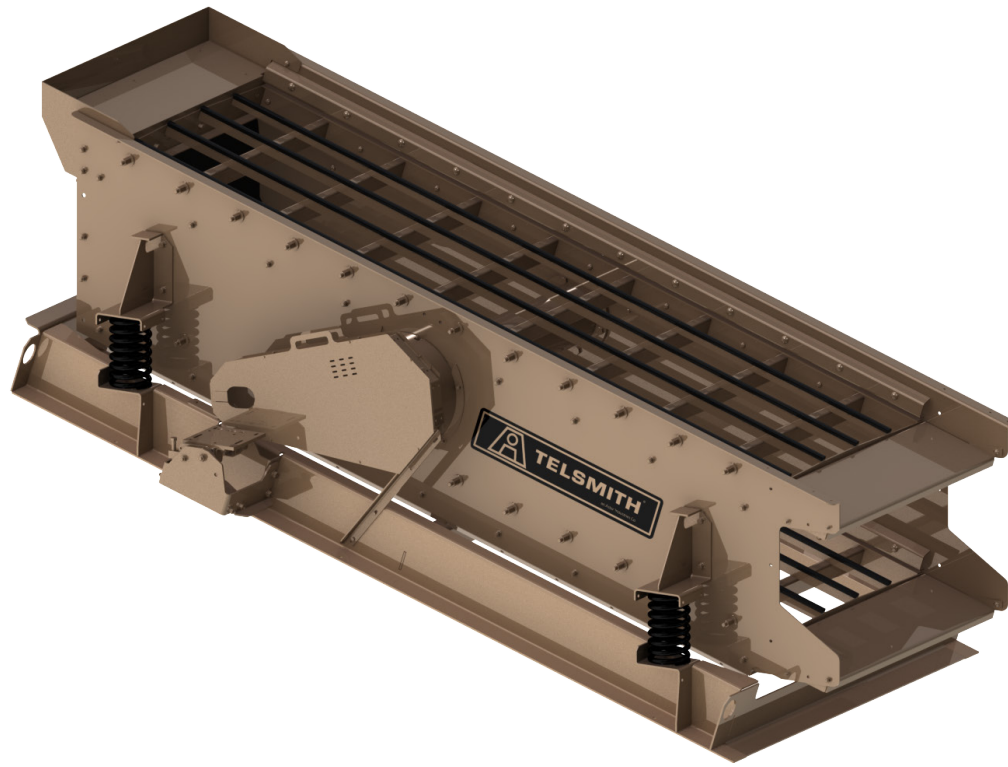


VALU-KING[®] SCREEN

Incline Screen



Screen Features

- 1/4" (no weld) sideplates
- 18 degree mount angle
- Compact vibrating unit with self-aligning high-capacity spherical roller bearings
- Vibrating unit drive shaft protected by cylindrical tube
- Grease lubrication of vibrating unit bearings is standard
- Crowned support frame
- Tubular deck design: screen decks are fabricated using rectangular tubing, yielding a rugged construction
- Exterior access to counterweights eases weight changes
- Screen support frames joined to the vibrating frame with high-strength vibration proof hardware
- Replaceable cross braces ease maintenance and prolong screen life
- Heavy duty support base supplied
- Side tension media: side tension media accepts wire cloth, side tension urethane or rubber media
- Reinforcing plates at vibrator
- Bolt on 1/4" AR lined feedbox
- Backplate with rubber dust curtain
- Support pedestals and springs
- Steel coil springs
- FEA design with extensive stress analysis
- Operation and maintenance manuals

Feature	Specifications
Stroke Length (Throw)*	Min. 1/4" to 7/16"
Operating Speed Range	780 – 1050 RPM
Slope Range	18°
Maximum Feed Size**	5"
Maximum Top Deck Opening	2 1/2" (wire cloth)
Minimum Screen Cloth Opening	16 mesh – 3/32"
Sideplate Thickness	1/4"
Feed Box Liner Thickness (AR400 Plate)	1/4"

* For dry 100lb per cubic foot material and shaft rotating with the flow
 ** Maximum feed size will vary based on deck design, media selection and feed height

Optional Equipment

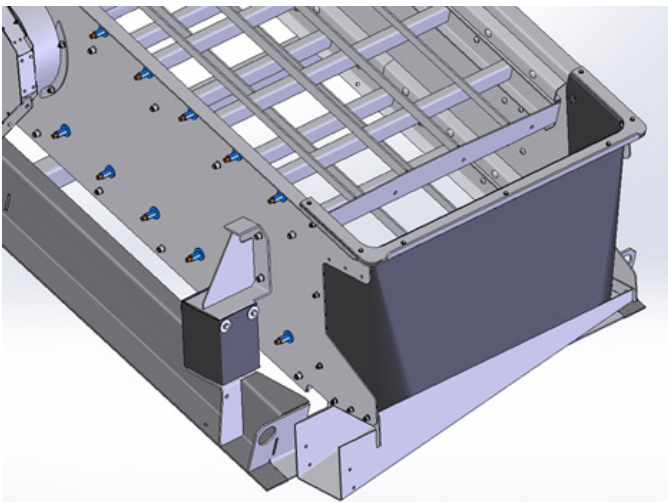
- Standard wire cloth
- Spring guards – rubber wrap around
- V-belt drive and guards
- Electric motor
- Side Discharge (RH)
- Open Feedbox
- Deck Selector Feedbox
- Deck Selector Feedbox with Screen Bypass

Support Frame Standards

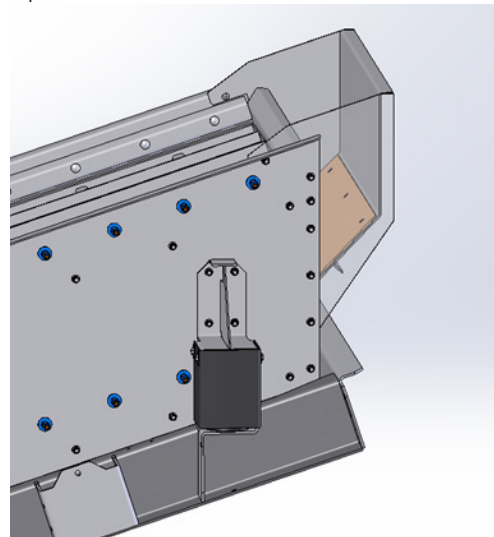
Valu-King®			
Screen Width Feet (Meters)	4 (1.2)	5 (1.5)	6 (1.8)
Crown	Single	Single	Single
Wire Cloth Width* inches (cm)	47 (119)	59 (150)	71 (180)
Wire Cloth Pieces to Cover Width	1	1	1
Wire Cloth Hook Direction	Both Facing Up	Both Facing Up	Both Facing Up
Center Hold Down	None	None	None

* Wire cloth width dimensions to outside of hooks

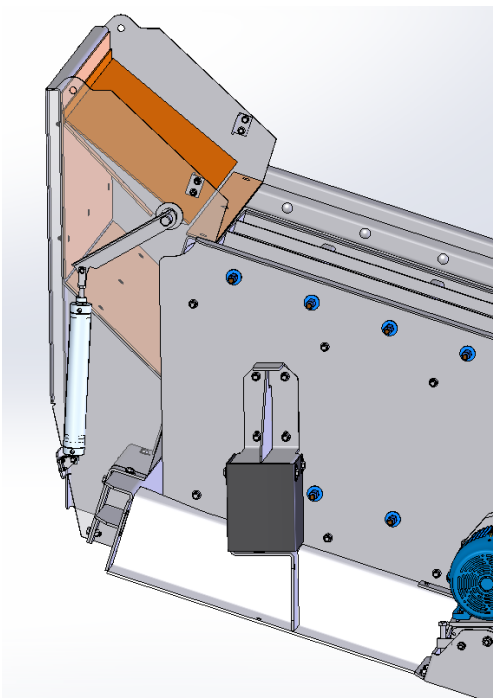
Side Discharge (RH)



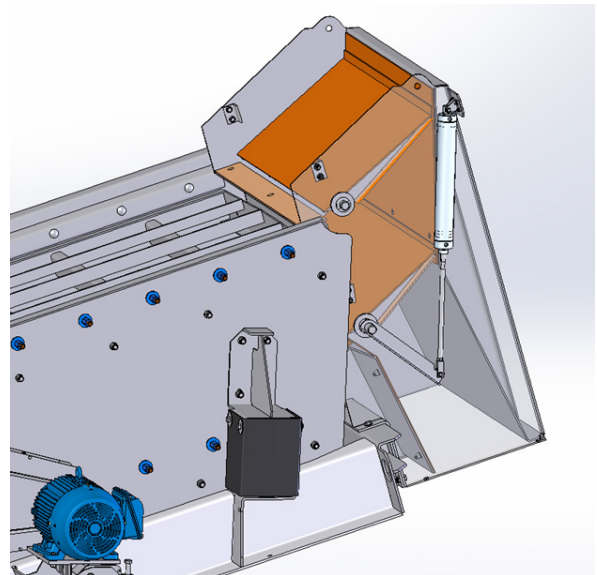
Open Feedbox



Deck Selector Feedbox



Deck Selector Feedbox with Screen Bypass



Physical and Operating Characteristics

Model		Power Required	Weight*		Bearing Size Per Shaft	Max. TPH** Carrying Capacity
Size	Decks	HP / kW	lb	kg	mm	Short Tons
3'x6'	SD	5 / 3.7	878	398	61.9	110
4'x8'	SD	7.5 / 5.5	4,310	1,955	90	190
	DD	7.5 / 5.5	4,570	2,073	90	215
4'x10'	SD	10 / 7.5	4,700	2,132	90	170
	DD	10 / 7.5	5,050	2,291	90	195
	TD	20 / 15	6,230	2,826	90	260
4'x12'	SD	10 / 7.5	5,140	2,331	90	155
	DD	10 / 7.5	5,610	2,545	90	180
	TD	20 / 15	7,450	3,379	110	255
4'x14'	SD	10 / 7.5	5,600	2,540	90	145
	DD	10 / 7.5	6,070	2,753	90	170
	TD	25 / 19	8,180	3,710	110	245
5'x12'	SD	10 / 7.5	5,400	2,449	90	165
	DD	15 / 11	5,950	2,699	90	195
	TD	25 / 19	8,010	3,633	110	280
5'x14'	SD	15 / 11	5,910	2,681	90	155
	DD	20 / 15	6,600	2,994	90	190
	TD	30 / 22	8,890	4,032	110	270
5'x16'	SD	20 / 15	6,910	3,134	110	160
	DD	20 / 15	7,690	3,488	110	190
	TD	30 / 22	9,730	4,413	110	270
6'x16'	SD	25 / 19	7,660	3,475	110	180
	DD	25 / 19	8,550	3,878	110	220
	TD	30 / 22	10,650	4,831	110	290

*Live weight includes live body, feed box, discharge lips and counter weights. Total weight includes live weight plus sub-frame, springs, pivoting motor base, drive and guard (electric motor not included).

**Maximum TPH carrying capacity is defined as the total feed (TPH) to the screen minus the bottom deck thru's (TPH).



(262) 242-6600
sales@telsmith.com
www.telsmith.com

NOTE: CONSULT FACTORY FOR EXACT DIMENSIONS, specifications are subject to change without notice. Continuous design progress makes it necessary that specifications be subject to change without notice. All sales of the products of TelSmith, Inc. are subject to the provisions of their standard warranty. TelSmith, Inc do not warrant or represent that their products meet any federal, state, or local statutes, codes, ordinances, rules, standards or other regulations, including OSHA and MSHA, covering safety, pollution, electrical wiring, etc. Compliance with these statutes and regulations is the responsibility of the user and will be dependent upon the area and the use to which the product is put by the user. In some photographs, guards may have been removed for illustrative purposes only. This equipment should not be operated without all guards attached in their normal position. Placement of guards and other safety equipment is often dependent upon the area and how the product is used. A safety study should be made by the user of the application, and, if required additional guards, warning signs and other safety devices should be installed by the user, wherever appropriate before operating the products.